

DIRKER
RUGGED > AGILE > EVOLUTION

**ALL TERRAIN
LIFTING SOLUTIONS**



DIRKER
> STOCK > FORKLIFT

Dirker 3DF30 is the simplest rough terrain tough environment Forklift solution.

"Simple reliability is a key component to satisfaction"



> APPLICATION

The Dirker 3DF30 Forklift is designed to lift and load anything up to 3ton on all terrain from the sand of the Sahara to the snow of Siberia.

The 3DF30 Dirker Forklift is used in applications such as

Agricultural
Forestry & Sawmills
Construction

Mining
Defence Forces

Contact us for more information regarding the applications of the Dirker 3DF30 Forklift

> EVOLUTION

The Dirker Evolution team is always open for ideas and new information to evolve the Dirker Forklift to fit in to your application and needs.

Due to the Dirker Evolution design and manufacturing's teams ability to create solutions, as well as the ability to take any idea from concept to final product extremely fast.

+27 (0) 12 942 1446 | sales@dirkermachines.com
www.dirkermachines.com | Pretoria, South Africa

1800MM

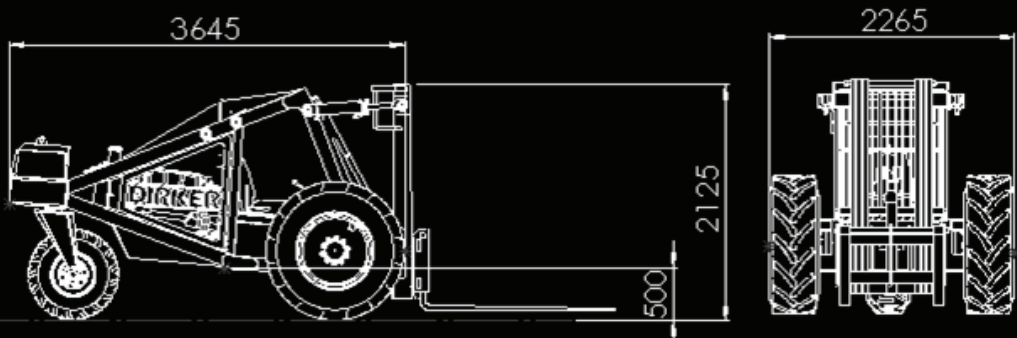
2700MM

2560MM



3DF30 FORKLIFT SPEC SHEET

ENGINE		TRANSMISSION PUMP	
Make	4CYL DEUTZ 912	Model	PM50 Tandem
Power	46 KW	Type	Variable Displacement
Torque	230 NM @ 1600 RPM	Operator Control	Servo Foot Pedal Valve
Engine Speed	Governed @ 2000 RPM	Displacement	45 cc Per Side
Displacement	3770 cc	Relief Pressure	350 Bar
Cooling	Air Cooled	Charge Pump	Integrated Gear Pump
Mounting	6 Point Rubber Mount	Charge Pressure	25 Bar
Safety	Mechanical Shut Off	Drive Coupling	HD Guardex 65
ATTACHMENT		OPERATING MASSES	
Type	4M 3 Stage Free Lift Mast	Front Unladen	2980 Kg
Capacity	2500 Kg @ 500 mm	Rear Unladen	2020 Kg
Side Shift	Optional	Total Unladen	4980 Kg
WHEELS		WHEEL DRIVE SYSTEM	
Type Front	380 / 85 R 24	Drive Motor Make	Poclain
Rims Front	24" One Piece	Drive Motor Size	2800 cc
Tyre Rear	400 / 60 x 15.5 High Flotation	Drive Motor Model	MSE 18
Rim Rear	13 x 15.5 Reinforced 1 pc	Wheel Torque	13300 NM Per Wheel
HYDRAULIC & FUEL TANK		IMPLEMENT HYD SYSTEM	
Hyd Tank Type	Frame Tubing Integrated	Pump Type	Gear Pump Driven
Hyd Tank Capacity	145L (170L For System)	Function Valve	Open Centre Valve with Port Relief
Hyd Operating Temp	> 65° C	BRAKES	
Hyd Oil Cooling	Mechanical Engine Fitted	Park Brake	Multi Disc Spring Applied
Fuel Tank Type	Bolt Mounted On Frame	Park Brake Release	18 Bar Hyd Pressure
Fuel Tank Capacity	85L		
CABIN			
Type	Open No Doors	Windows	Optional
HVAC System	Optional	Protection	HD Removable Front Guard
Seat Belt	Suspended Lap Belt; 4 Point Harness Operational		



SALES & RENTALS

+27 (0) 12 942 1446 | sales@dirkermachines.com
www.dirkermachines.com | Pretoria, South Africa